

UOL Serials Open Channel flowmeter

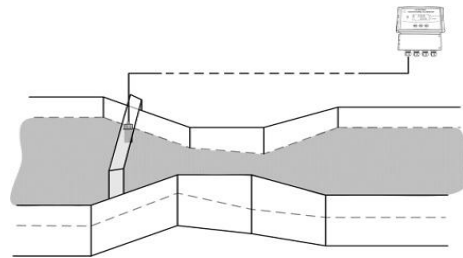
UOL serials is non-contact ultrasonic open channel flow meter, with low blind area, high sensitivity, high stability. It consists of ultrasonic probe and the host, mainly used for measuring water conservancy irrigation, sewage plants, enterprises and institutions of the flow rate of the sewage outfalls, urban sewage and chemical enterprise part of the flow measurement.



FEATURES

☆ Multiple functions, with calculating、control、transmitting and other functions.

☆ Match with various weir tank. Right-angle triangle weir、rectangular weir、groove、parshall flume、throat channel slot.



☆ Accurate measurement , automatic temperature compensation function, automatic filtering system, strong anti-jamming.

☆ Accurate measurement in colder regions with electric heat tracing sensor

☆ With IR remote control, easy to operate.

☆ Large screen display, double line 14 bit LCD liquid crystal display (with backlight), characters of the man-machine interface.

☆ With RS485 serial communication, the standard MODBUS RTU protocol, can communicate with Ethernet device, PC, PLC and DCS.

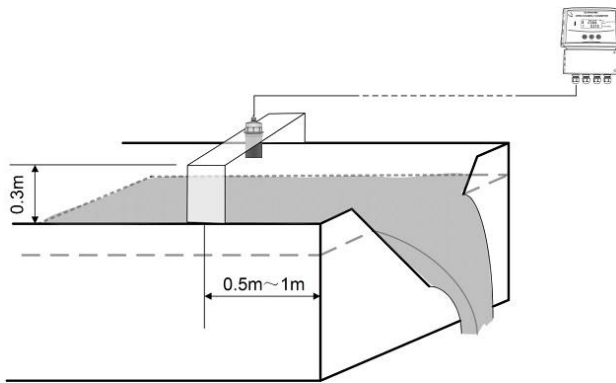
☆ Can provide up to 6 relays, can set the upper limit and lower limit alarm and control (instantaneous flow rate and water level), Can be set high, low and fault alarms.

TECHNICAL PARAMETERS

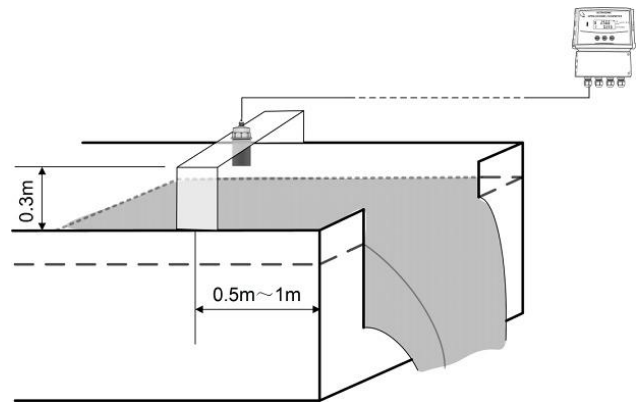
Technical Index

Weir&Flume Match:	Chinese Standard: Parshall Flume、 Triangular Weir 、 Rectangular Weir 、 Non-throat Flume
	ISO Standard: Parshall Flume
	USBR Standard: Long-throat Flume(Rectangular flume、 Trapezoid Flume)
Probe:	4m(otherwise other range and anti-corrosion requirements, indicate when you order it)
Accuracy:	0.2% Full span (In air)
Display Resolution:	1mm
Mode of Indication:	14 Digit LCD in 2 rows
Output Current:	DC4~20mA/RS485/Hart Serial communication RS485(modbus standard protocol)
Output Load:	0~500Ω
Output Resolution:	0.03% Full span
Relays:	2、 4、 5、 6(5A 250VAC/30VDC)
Baud rate:	19200/9600/4800
Parameter set up:	3 induction buttons
Temperature Range:	-40 °C ~75 °C (LCD: -20 °C ~+70°C)
Temperature compensation:	The whole range is automatic
Pressure Range:	±0.1MP (press definitely)
Power Supply:	DC24V (±5%) 0.2A AC220V (±20%) 0.1A
Cable:	Ø6-12mm
Single Wire Diameter:	Ø0.5-1.78mm
Cable Fix:	PG13.5/M20
Measure Cycle:	1.5second
Crust Material:	ABS
Sensor Material:	ABS/PVC/PTFE
Protect Grade:	IP67

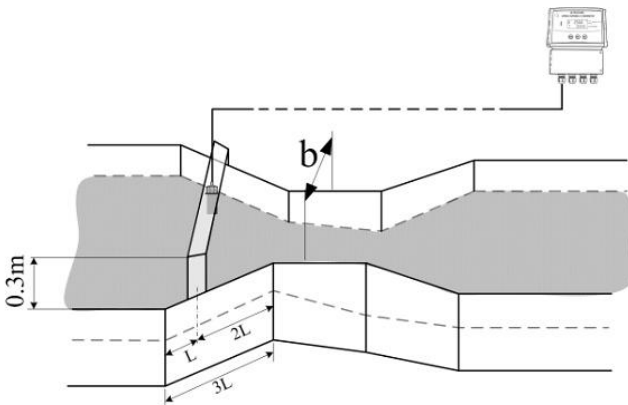
Installation drawing:



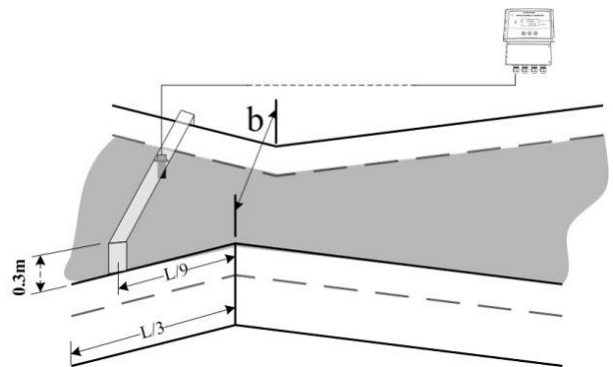
triangle weir



rectangular weir



parshall flume



throat channel slot

Table Select:

UOL	Open Channel flowmeter	
Power supply		
A	AC220V	
D	DC24	
O	Others	
Output		
1	4-20mA	
2	4-20mA & RS485-MODBUS	
3	4-20mA & Hart	
Relay output		
R00	Without relay	
R01	1 relay	
R02	2 relays	
R03	3 relays	
R04	4 relays	
R05	5 relays	
R06	6 relays	
Level Sensor		
4m	4 m	
6m	6 m	
8m	8 m	
12m	12m	
Sensor material		
A	ABS&PVC	
P	PTFE	
Sensor cable		
10m	10m standard	
Xm	optional, up to 500m	
Process connecting		
G	G 1½ screw	
S	G2 screw standard	
F	DN65 flange	
O	others	
Weir notch Type		
PN	P1~ P17 Parshall flume	
SN	S1~ S5 Triangular weir	
.JN	J1~ J5 Rectangular weir	

UOL - A - 1 - R00 - 4m - A - 10m - G - PN (example configuration)